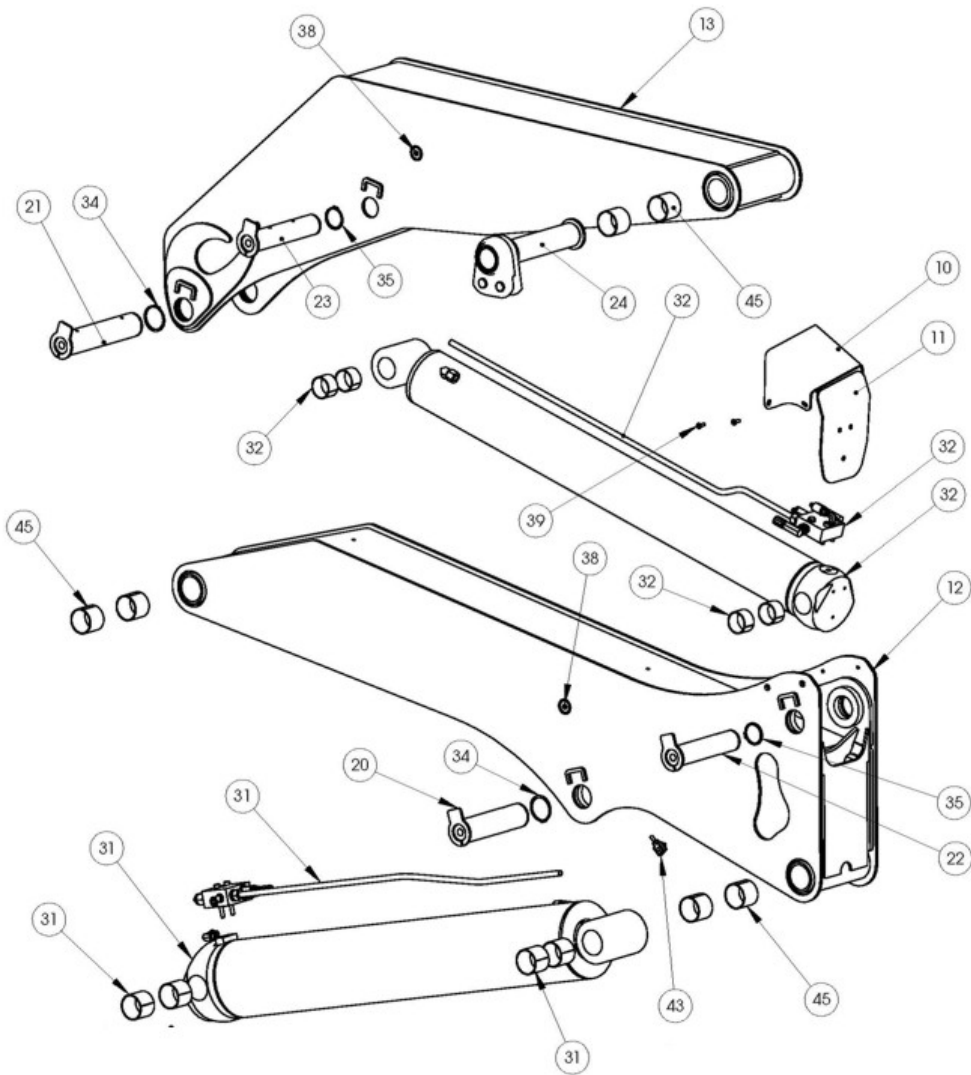
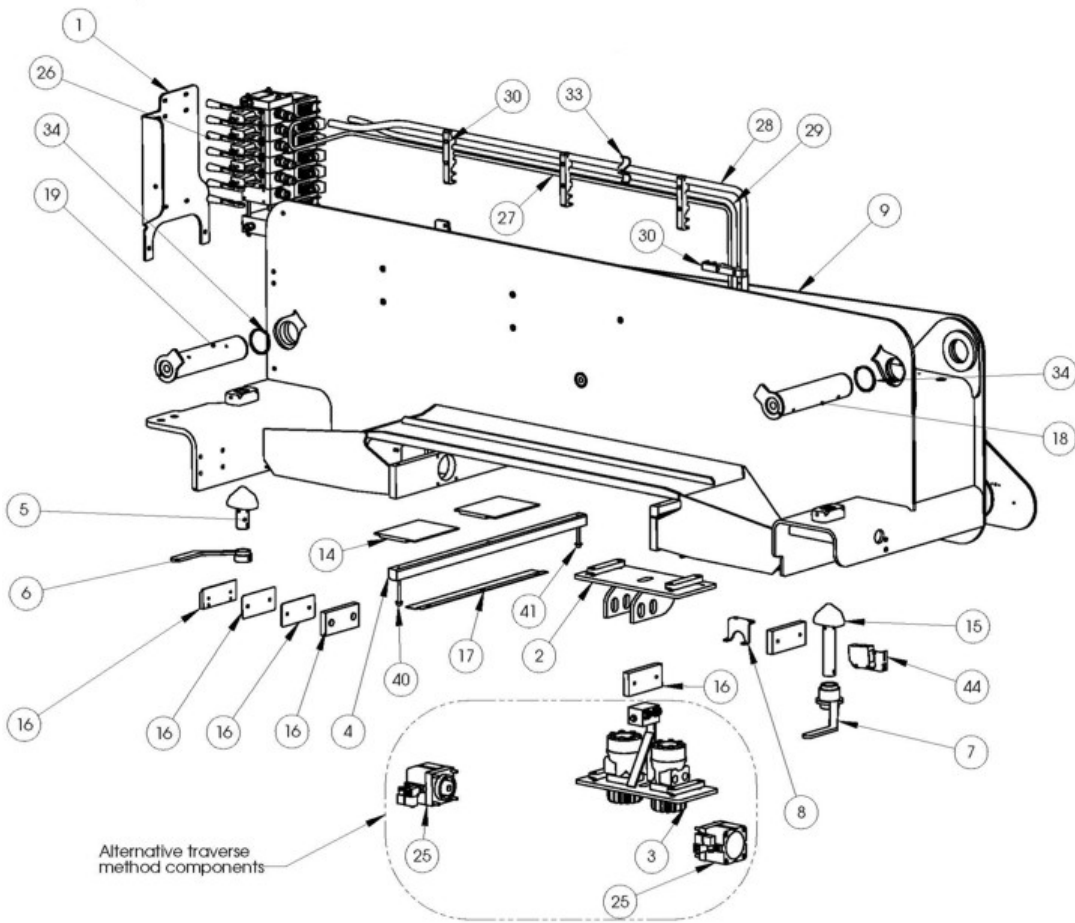




Crane Assembly SB361







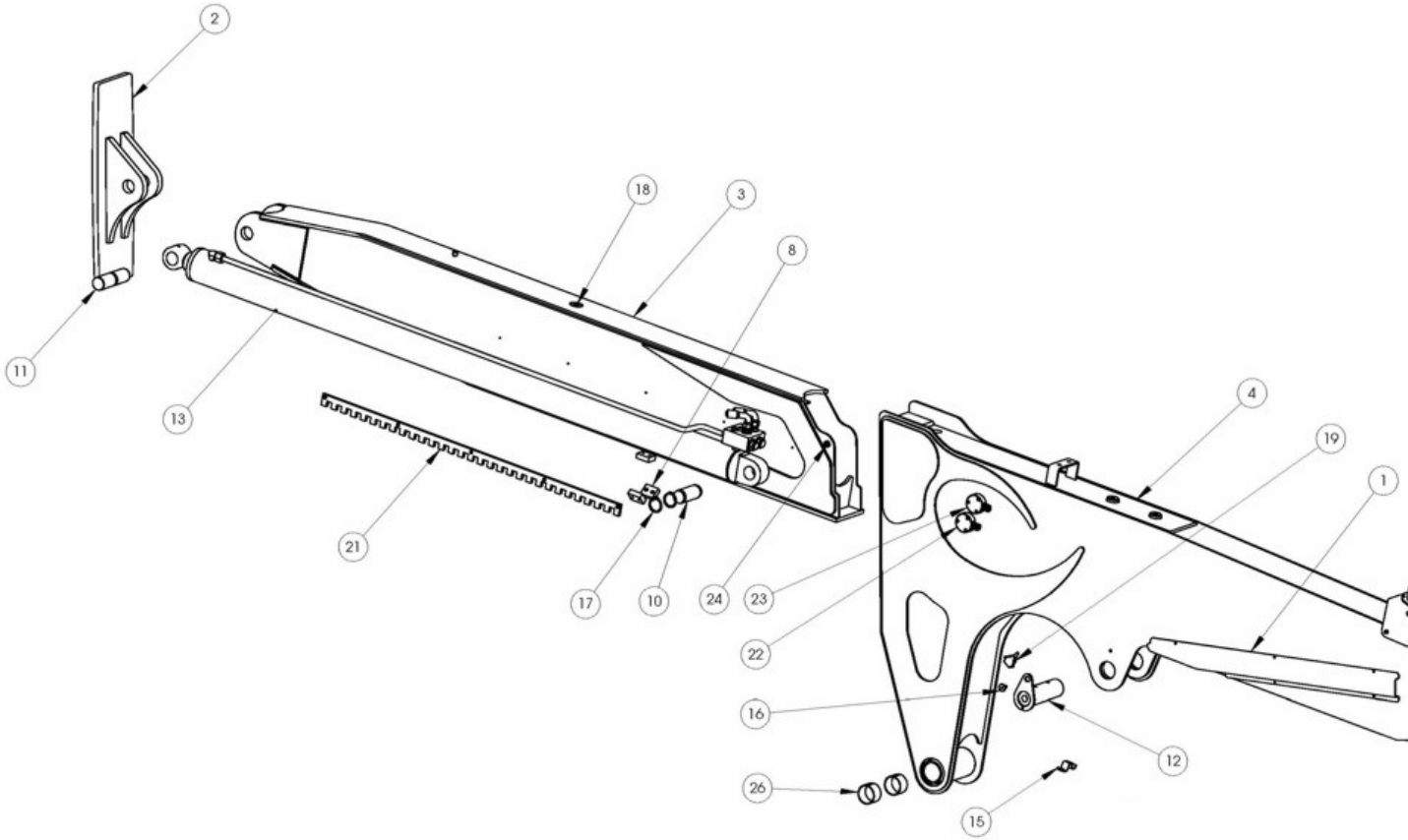
Crane Assembly SB361

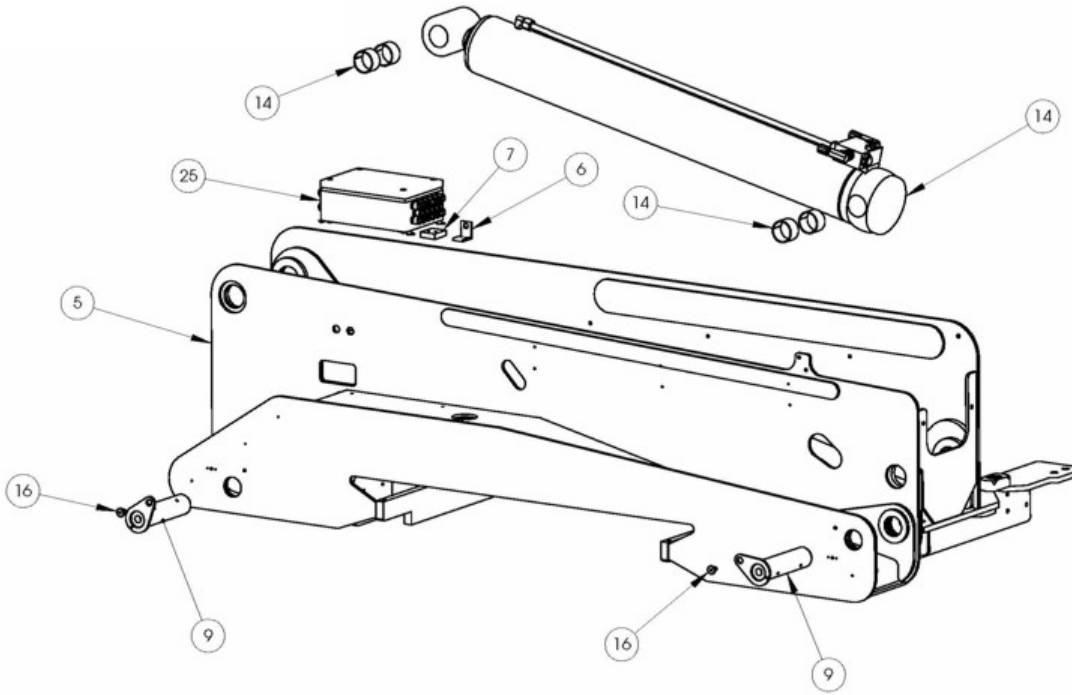
Note: Please provide the Serial Number of the Sidelifter with all spare parts orders.

Item	Part Number	Description	Qty
1	S8-33620	Plate Mounting RH Danfoss Bank SB401/SB361	1
2	S8-33316	* Assy Cylinder Traverse SB401/SB361	1
3	S8-33311	* Assy Centre Drive Traverse SB401/SB361	1
4	S8-33306	Block Load Transfer 32mm SB401/SB361	2
5	S8-33070	Bolt Anvil Machined TL Offside SB401/SB361	1
6	S8-33069	Handle Twistlock Offside RH SB401/SB361	1
7	S8-33028	Handle Twistlock Liftside RH SB401/SB361	1
8	S8-33022	Plate Mount Plug Base SB401/SB361	1
9	S8-33011	Crane Base RH SB401/SB361	1
10	S8-32258	Bash Cover R/H Bottom Arm SB401/SB361	1
11	S8-32257	Bash Plate R/H Bottom Arm SB401/SB361	1
12	S8-32240	Arm Bottom SB401/SB361	1
13	S8-32300	Arm Top SB361	1
	S8-32211	Arm Top SB401	1
14	S3-31068	Wear Pad Crane Base 10mm SB33	4
15	S3-26034	Centre Twistlock Crane Base SB33	1
16	S1-33275	Assy Wear Pad Side SB401/SB361	4
17	S1-31484	Retainer Long Wear Pad Crane Base Bolted	2
18	PN-34235	Pin A SB401/SB361	1
19	PN-33248	Pin B SB401/SB361	1
20	PN-33252	Pin C SB401/SB361	1
21	PN-33254	Pin D SB401/SB361	1
22	PN-33256	Pin E SB401/SB361	1
23	PN-33258	Pin F SB401/SB361	1
24	PN-33260	Pin G SB401/SB361	1
25	PM-33302	* Assy Lock Crane Base SB401/SB361	2
26	HC-33658	Valve Danfos 4 Slice	1
27	HC-33643	Tube 10mm LS RH Crane Base SB401/SB361	1
28	HC-33642	Tube 20mm Tank RH Crane Base SB401/SB361	1
29	HC-33641	Tube 16mm Pressure RH Crane Base SB401/SB361	1
30	HC-33614	Clamp Hyd Tube SB401 Crane Base	4
31	HC-32284	Assy Cylinder Hyd RH Btm Lift SB361/401	1
32	HC-32280	Assembly Cylinder Hyd Top Lift SB361	1
	HC-32282	Assembly Cylinder Hyd Top Lift SB401	1
33	HC-25811	Clamp Double 1/2 Hose Plastic Dipped	1
34	FA-31071	Circlip External M70	4
35	FA-28935	Circlip External M60 ZP	2
36	FA-28827	Washer Flat M8X19 ZP	18
37	FA-28770	Nut Nyloc M8 ZP	4
38	FA-28755	Screw Socket Grub M16X16 ZP	4
39	FA-28733	Screw Socket Flat Head Gr 12.9 M8X25 Blk	4
40	FA-35375	Screw Socket Cap Gr 12.9 M8X90 Blk	4



41	FA-28710	Screw Socket Cap Gr 12.9 M8X70 Blk	2
42	FA-28605	Screw Set Hex Class 8.8 M8X25 ZP	8
43	EL-34171	Sensor Inclinator VTI 2-Axis M12 Plug	2
44	EL-22723	Switch Photo Sensor Sick WT260S280	1
45	BE-29013	Bearing Glacier 70 ID x 60 long	6







Note: Please provide the Serial Number of the Sidelifter with all spare parts orders.

Item	Part Number	Description	Qty
1	S8-33801	Assembly RH Cap Stab Hose Cover SB401/SB361	1
2	S8-33206	Foot Stabiliser SB401/SB361	1
3	S8-33197	Stabiliser Extension SB401/SB361	1
4	S8-33181	Stabiliser Housing SB401/SB361	1
5	S8-33011	Crane Base RH SB401/SB361	1
6	S1-33842	Bracket Module Pressure Gauge Low Height	1
7	S1-34174	Packer Spirit Level Module Mounted	1
8	S1-18365	Support Lower Stabiliser Leg Cyl MK6	3
9	PN-33250	Pin H & I SB401/SB361	2
10	PN-18322	Pin J MK6 SB30 Ø45	1
11	PN-21817	Pin K SB330 SB401 Ø45	1
12	PN-35349	Pin L SB401	1
13	HC-32288	Assy Cyl Hyd Stabiliser Extend SB361/401	1
14	HC-32286	Assy Cyl Hyd Stab Tilt R/H SB361/401	1
15	HC-25811	Clamp Double 1/2 Hose Plastic Dipped	1
16	FA-34402	Screw Socket Head Shouldered Retainer	3
17	FA-28923	Circlip External M45	2
18	FA-28755	Screw Socket Grub M16X16 ZP	2
19	EL-34171	Sensor Inclinometer VTI 2-Axis M12 Plug	1
20	EL-33346	# Strobe Beacon no Conduit SB401/SB361	1
21	EL-37327	Mag Strip Stab Ext SB401/SB361	1
22	EL-33270	Assy Mount Sensor Magnetic SB401/SB361	1
23	EL-33269	Assy Mount Sensor Magnetic SB401/SB361	1
24	EL-32921	Magnet Reset Stabiliser	1
25	EL-32863	Enclosure	1
26	BE-29011	Bearing Glacier 60 ID x 40 long	2